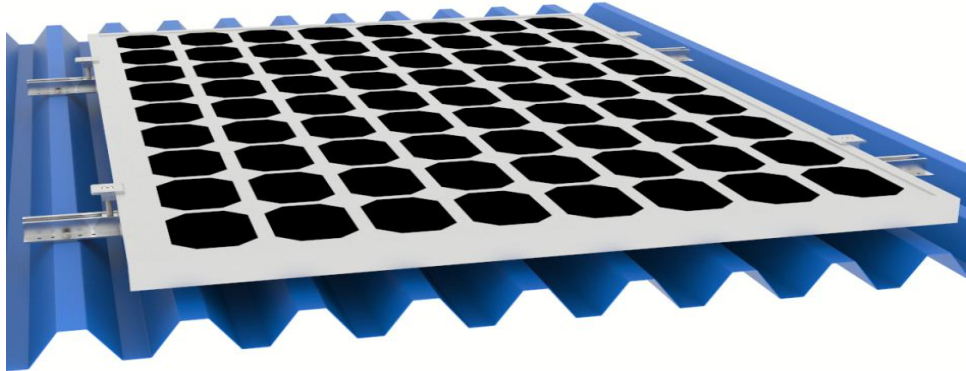


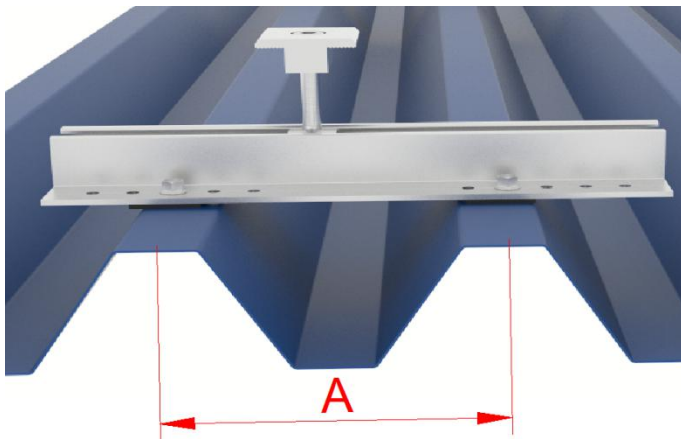
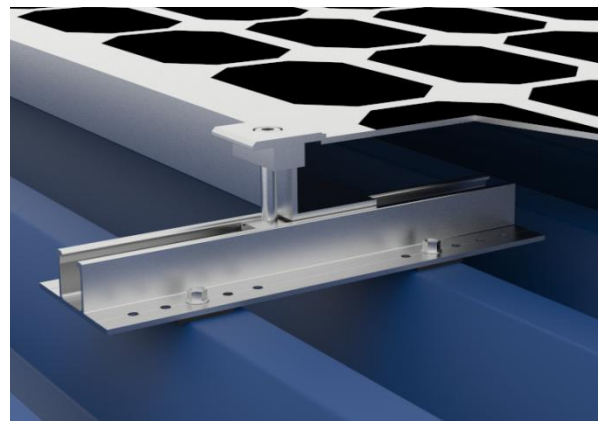
Universal Metal Roof Clamp



This type mini rail can work with all kinds of trapezoidal metal roof. It was made by aluminum alloy, which has strong corrosion. For this solution, it can save at least 80% cost and 50% installation time.



MG-AL-MRC-04
Vertical & Rail-less Solution



Metal Roof Sheet Specification

	Min.	Max.
A	80 mm	220 mm